

Integrated Single DishDrawer™ Dishwasher, Tall, Sanitize

Series 9 | Integrated

Panel Ready

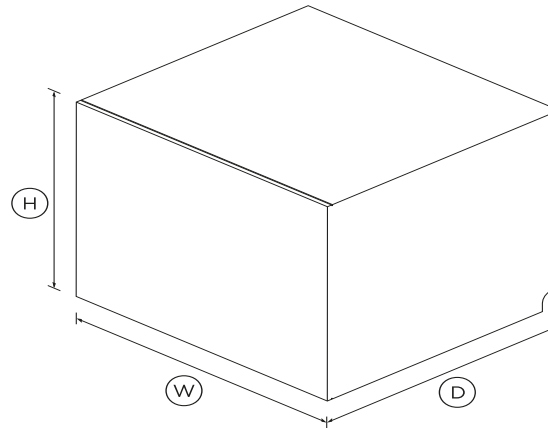


Designed to fit your full-sized dinner plates, this DishDrawer™ can be placed anywhere in your kitchen, integrating seamlessly.

- Knock to pause function is perfect if you miss a dish
- Six wash programs, as well as additional Quick wash, Sanitize and Extra Dry options
- Built-in water softener improves wash performance by reducing unwanted minerals in the water
- Customize with your own kitchen cabinetry or purchase our stainless steel door panel accessory

DIMENSIONS

| | |
|--------|----------|
| Height | 17 7/8" |
| Width | 23 9/16" |
| Depth | 21 3/4" |



SPECIFICATIONS

Accessories

- Cutlery basket
- Knife clip and multipurpose

Accessories (sold separately)

| | |
|----------------------------|----------------|
| Door panel stainless steel | ADDD24STPX |
| Handle kit Contemporary | AHS-OBDD-60S |
| Handle kit Contemporary | AHD5-OBDD-60SX |

| | |
|-------------------------------|----------------|
| Handle kit Contemporary | AHD5-OBDD-60SB |
| Handle kit Contemporary | AHD3-OBDD-60S |
| Handle kit Professional round | AHP3-DWDD-SX |

Capacity and loading

| | |
|-----------------------------|--------|
| Accommodates round plates | 12.25" |
| Adjustable height, foldable | • |
| Fold down tines | • |
| Pitch adjustable tines | • |
| Place settings | 7 |

Consumption

| | |
|------------------------------|-------------|
| Energy usage | 152kWh/year |
| Water usage (per wash cycle) | 1.79 gal |

Controls

- Child lock
- Electronic fault/Diagnostic
- End of cycle beeps
- Energy saving delay start
- Internal wash selector
- Knock to pause
- Rinse aid indicator light
- Wi-Fi connectivity

Features

- Built-in water softener
- Fan assisted drying
- Flow through detergent

| | |
|------------------------|-------------|
| Motor type | BLDC |
| Quiet operation | • |
| SmartDrive™ technology | • |

Performance

| | |
|-----------------|--------------|
| Noise emissions | 43dBA |
|-----------------|--------------|

Power requirements

| | |
|------------------|-------------------|
| Amperage | 5A |
| Electric circuit | 3 wire |
| Rated current | 15A |
| Supply frequency | 60Hz |
| Supply voltage | 100 - 120V |

Product dimensions

| | |
|--------|-----------------|
| Depth | 21 3/4" |
| Height | 17 7/8" |
| Width | 23 9/16" |

Warranty

| | |
|-----------------|------------------------|
| Parts and labor | Limited 2 years |
|-----------------|------------------------|

Wash Program Modifiers

| | |
|----------------|----------|
| Extra Dry | • |
| Quick | • |
| Sanitize | • |
| Wash modifiers | 3 |

Wash Programs

| | |
|----------|---|
| Delicate | • |
|----------|---|

| | |
|---------------|----------|
| Eco | • |
| Fast | • |
| Heavy | • |
| Medium | • |
| Rinse | • |
| Wash programs | 6 |

Water connection

| | |
|----------------------------|--------------------------------------|
| Supplied hose to suit 3/8" | • |
| Water pressure | 100kPa - 1000kPa |
| Water supply | 3/8" to suit Male Compression |

| | |
|-----|--------------|
| SKU | 82340 |
|-----|--------------|

The product dimensions and specifications in this page apply to the specific product and model. Under our policy of continuous improvement, these dimensions and specifications may change at any time. You should therefore check with Fisher & Paykel's Customer Care Centre to ensure this page correctly describes the model currently available. ? Fisher & Paykel Appliances Ltd 2020

Other product downloads available at fisherpaykel.com

- [↓](#) Quick Start Guide
- [↓](#) Service & Warranty
- [↓](#) Energy Label Integrated Single DishDrawer™ Dishwasher
- [↓](#) User Guide DishDrawer™ Dishwasher
- [↓](#) Installation Guide DishDrawer™ Dishwasher Venting Kit
- [↓](#) Installation Guide Single Dish Drawer
- [↓](#) Data Sheet Integrated Single DishDrawer™ Dishwasher



A PEACE OF MIND SALE

24 Hours 7 Days a Week Customer Support

T 1.888.936.7872 Wwww.fisherpaykel.com